

# CCF LIGHTS GENERAL INFORMATION

## READING CCF LIGHTS

**-PLEASE READ ALL INFORMATION CAREFULLY-**

### INSPECTION:

This CCF Light was inspected and tested by the manufacturer. Damage in shipment should be reported to the delivering carrier immediately, followed by a claim request.

### MATERIALS PROVIDED:

This CCF Light is packaged with the appropriate colored base and lamp body. A mounting bracket is provided. **Wall mounting screws are NOT provided.** The recommended mounting hardware is (2) #8 (or 4.2mm) Phillips Pan Head Screws. See *Mounting Instruction Sheet* for details.

### ELECTRICAL RATINGS:

Model	CCF Lamp Type	Operating Voltage	Input Current
12VDC	Reading	12V DC Nominal	0.58A
24VDC	Reading	24V DC Nominal	0.31A

Each CCF Light is supplied with a on/off switch and three #16AWG wire leads:

Red or Orange = Power ⊕

Black: Power Return ⊖

Blue = External Control, either:

- Connected together with ⊕ Positive (Red or Orange Lead)  
OR
- If used, an external on/off switch circuit  
OR
- If used, connects to a proprietary Taylorbrite® external dimmer\*

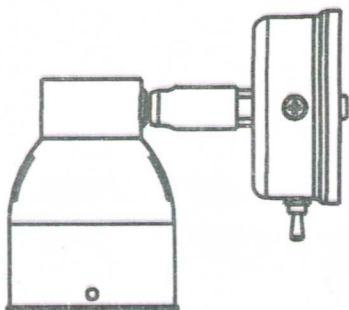
**\*Note: ONLY a proprietary Taylorbrite® external dimmer can be used with Taylorbrite® CCF Lights**

Connectors are not included. Wire splices will require the ability to crimp two wires onto a third. The recommended connectors are Hollingsworth #B4051 (16-14 Oval Butt Slice) or equivalent. The recommended hand held crimp tool specified is a Hollingsworth #H7B. An acceptable alternate is an Ideal Industries #83-001.

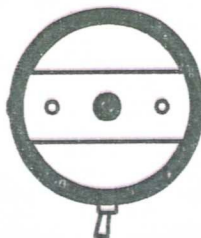
### ENVIRONMENTAL:

**Note: CCF Lights may require several minutes of warm-up to reach full brightness**

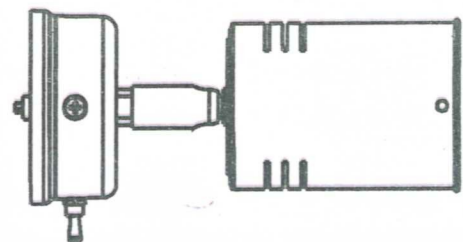
Intended for use on interior/covered surfaces. Not submersible.



READING CCF LIGHT,  
EURO STYLE



TYPICAL BACK VIEW OF  
READING CCF LIGHTS



READING CCF LIGHT,  
FUTURA STYLE



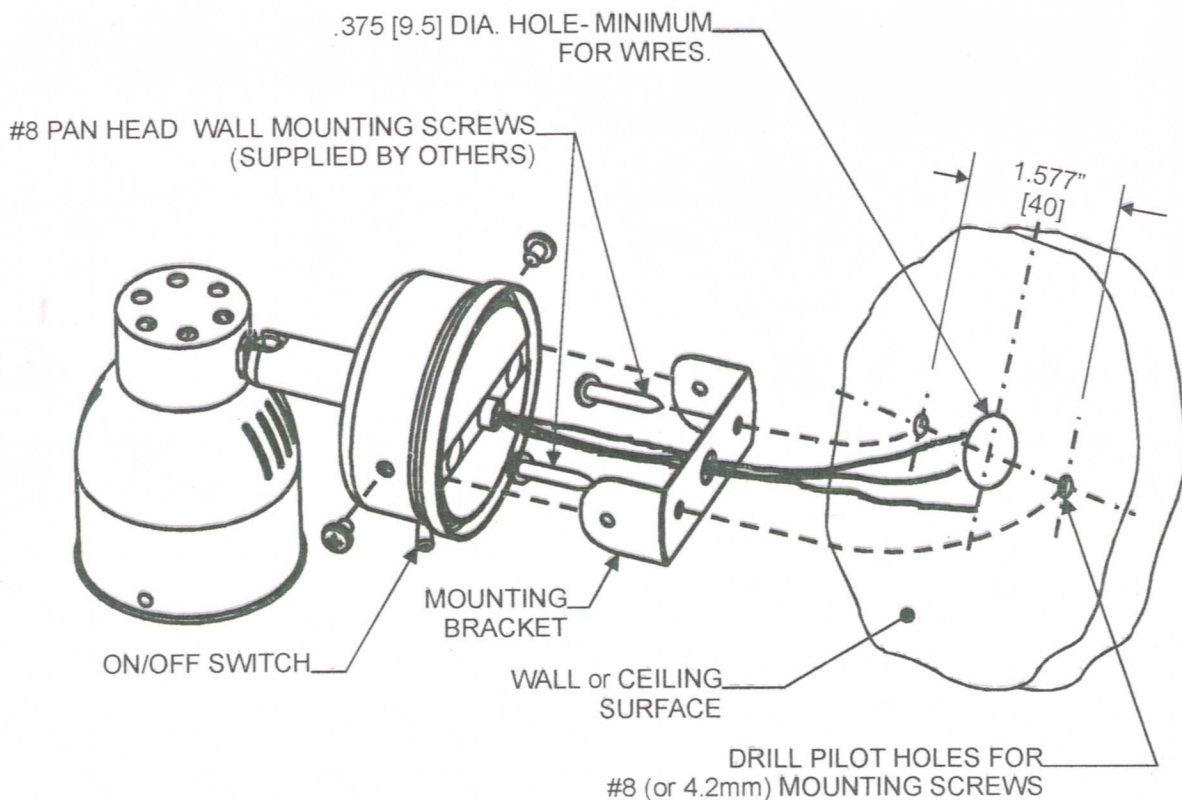
# MOUNTING INSTRUCTIONS & USE AND CARE INFORMATION FOR READING CCF LIGHTS

**-PLEASE READ ALL INFORMATION CAREFULLY-**

**CONTENTS:** (1) CCF Light, (1) Instruction Sheet

## MOUNTING INSTRUCTIONS:

1. Use the CCF Light as a template to determine location and orientation of unit on wall or ceiling (see below).
2. Upon determining a proper position, mark a center point for the CCF Light Base on the surface.
3. Remove the two screws securing the mounting bracket to base and **save the screws**.
4. Remove mounting bracket from rear of light base and use as template to mark hole locations.
5. Drill a .375" [40mm] diameter hole minimum at center for wires and two pilot holes for # 8 mounting Screws.
4. Complete the electrical connections per code regulations. Refer to general information sheet for electrical requirements and wiring information.
5. Mount the light mounting bracket using two #8 pan head screws- **supplied by others**.(see below).
6. Attach CCF Light base to mounting bracket with the two saved screws.



**SERVICING:** This CCF Light has "NO SERVICEABLE PARTS INSIDE".

## CLEANING:

**Turn power off before cleaning. Do not use any abrasives or chemicals.** Wipe lens and light body with a soft dry cloth to remove dust. A damp cloth with liquid dishwashing soap may be used to remove stubborn stains, however, avoid excessive rubbing. Dry with a soft clean cloth. Being this unit has NO SERVICEABLE PARTS INSIDE, a vacuum cleaner may be used to extract any solid debris from inside through the vent slots and holes on light body.